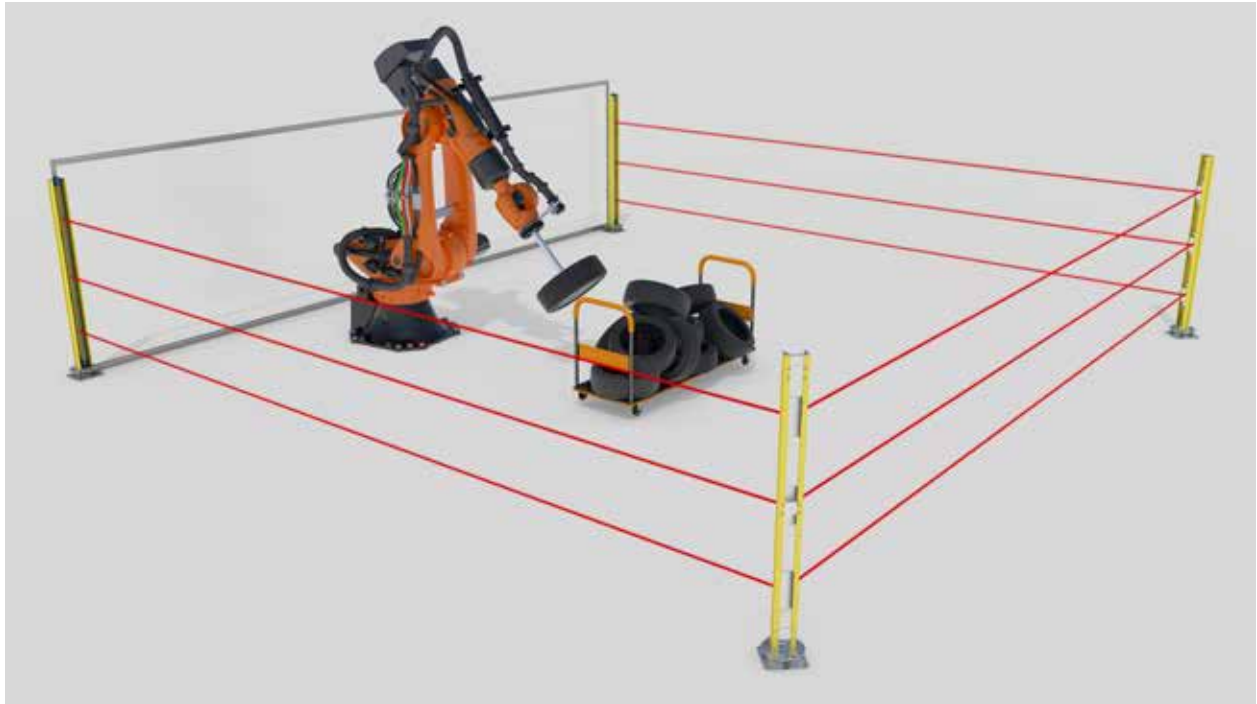


Floor Supports and Protective Stands for Safety Light Curtains and Mirrors

In applications where the monitoring of an area is required, safety light curtains can be used together with mirrors in order to realize perimetral protection.



Datasensing offers different solutions:

- Series FSD and FSM are Floor Supports for both safety light curtains (FSD) and mirrors (FSM).
- Series SG-PSB are sturdy Protective Stands for safety light curtains, or mirrors (SG-DM) available separately.
- Series SG-PSM are 2 , 3 , 4 adjustable mirrors already inserted in a sturdy Protective Stand of series SG-PSB.
- In all cases safety light curtains and mirrors can be positioned at the desired height from floor, in order to assure the safety of the application.

In the choice and use of deviating mirrors, consider the following points:

1. Purchasing SG-DM, consider that the mirror length has to be at least 100 mm superior to the height of the light curtain's protected area.
Ex. For a SG2-30-090-00-E (protection height = 900 mm), choose a SG-DM 1200

2. Each beam reflection decreases the operating range of the safety light curtain.

To estimate the actual distance that can be reached, apply the following tables to the starting operating distance of the safety light curtain in absence of mirrors.

Safety Light Curtains	SG					
Mirrors	SG-PSB, SG-DM, SH-FSM					
Reflections	Max Distance					
0	6,0	7,0	19,0	20,0	50,0	60,0
1	4,8	5,6	15,2	16,0	40,0	48,0
2	N/A	N/A	N/A	N/A	32,0	38,4
3	N/A	N/A	N/A	N/A	25,6	30,7

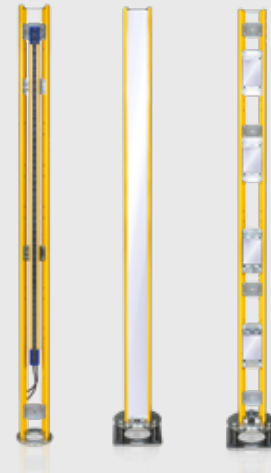
Safety Light Curtains	SH4		
Mirrors	SG-PSB, SG-DM		
Reflections	Max Distance		
0	10,0	20,0	70,0
1	8,0	16,0	48,0
2	N/A	N/A	38,4
3	N/A	N/A	30,7

Safety Light Curtains	SH4		
Mirrors	SH-FSM		
Reflections	Max Distance		
0	10,0	20,0	70,0
1	8,3	16,7	58,6
2	7,0	14,0	49,1
3	N/A	N/A	41,1

IMPORTANT NOTICE:

The data provided in the table refer to installations in environments free from adverse conditions and without condensation formation. Adverse environmental conditions such as fog, rain, fumes, or dust may reduce significantly the maximum operating distance. Indicated distances assume reflections at a 45° angle of incidence.

Therefore, tests should be carried out in the actual installation environment to verify the correct operation and effective sensing range.



SH-FSD/SH-FSM

FLOOR SUPPORTS FOR SAFETY LIGHT CURTAINS AND MIRRORS

Floor supports with a lean design for safety light curtains and single or multiple mirrors. Mirrors are pre-installed, and the safety light curtains can be mounted directly using the brackets supplied with the devices.

- Heights from 1056 to 1956 mm (supports for barriers and single mirrors)
- Heights from 1056 to 1656 mm (supports for adjustable multiple mirrors)
- Optional steel base for 360° adjustment
- Optional steel base for 360° adjustment with springs
- Compatible with flexible muting accessories (SG-M line)
- Materials: Painted aluminum, steel, glass.

AVAILABLE MODELS

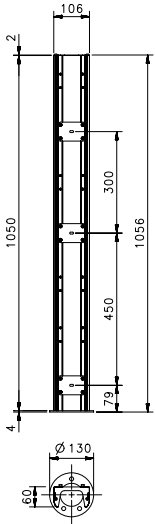
Description	Model
Floor support for safety light curtains 900 mm	SH-FSD-900 (95ASE0056)
Floor support for safety light curtains 1200 mm	SH-FSD-1200 (95ASE0057)
Floor support for safety light curtains 1500 mm	SH-FSD-1500 (95ASE0058)
Floor support for safety light curtains 1800 mm	SH-FSD-1800 (95ASE0059)
SH-FS Floor Support 360° Adjusting Plate	SH-FS-P (95ASE0060)
SH-FS Floor Support 360° Adjusting Plate with Springs	SH-FS-PS (95ASE0061)
Floor support with 2 independent mirrors 500 mm	SH-FSM-2-500 (95ASE0062)
Floor support with 3 independent mirrors 800 mm	SH-FSM-3-800 (95ASE0063)
Floor support with 4 independent mirrors 900 mm	SH-FSM-4-900 (95ASE0064)
Floor support with 4 independent mirrors 1200 mm	SH-FSM-4-1200 (95ASE0065)
Floor support with single mirror 900 mm	SH-FSM-900 (95ASE0066)
Floor support with single mirror 1200 mm	SH-FSM-1200 (95ASE0067)
Floor support with single mirror 1500 mm	SH-FSM-1500 (95ASE0068)
Floor support with single mirror 1800 mm	SH-FSM-1800 (95ASE0069)

SH-FSD-xxx are compatible with SG and SH4 series safety light curtains, with the exception of SG BODY BIG and SG4 REFLECTOR. The effect of collisions, vibrations and uneven floor surfaces can be compensated by using SH-FS-PS plate kit (to be ordered separately).

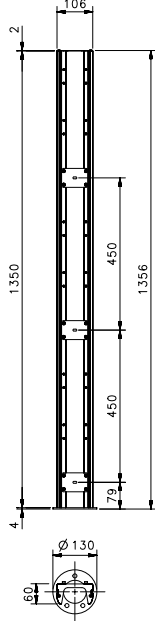
MECHANICAL DRAWINGS

SH-FSD-900, SH-FSD-1200, SH-FSD-1500, SH-FSD-1800

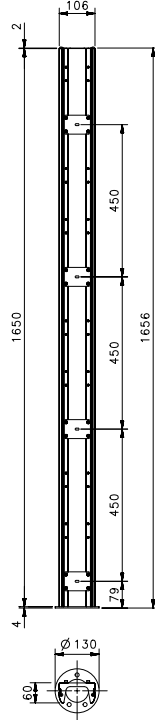
(mm)



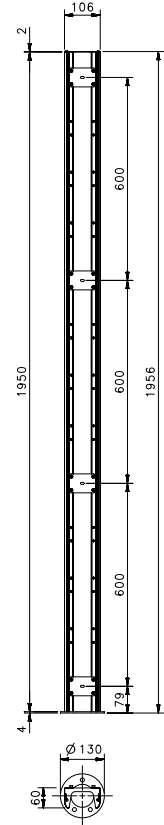
SH-FSD-900



SH-FSD-1200



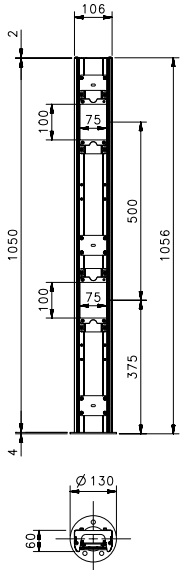
SH-FSD-1500



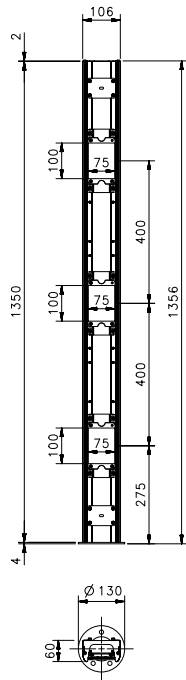
SH-FSD-1800

SH-FSM-2-500, SH-FSM-3-800, SH-FSM-4-900, SH-FSM-4-1200

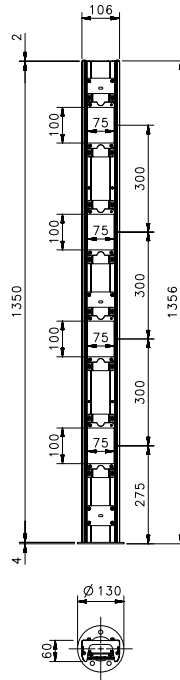
(mm)



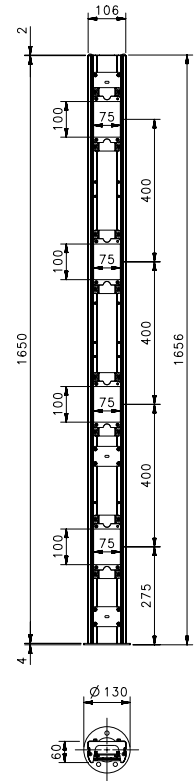
SH-FSM-2-500



SH-FSM-3-800



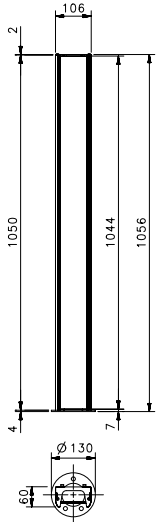
SH-FSM-4-900



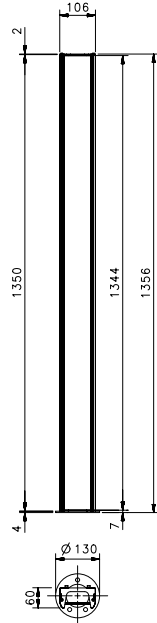
SH-FSM-4-1200

SH-FSM-900, SH-FSM-1200, SH-FSM-1500, SH-FSM-1800

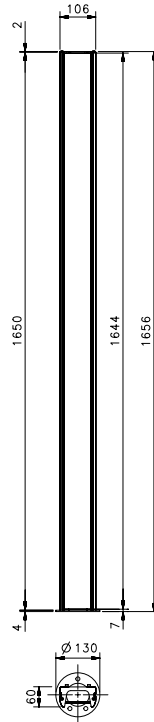
(mm)



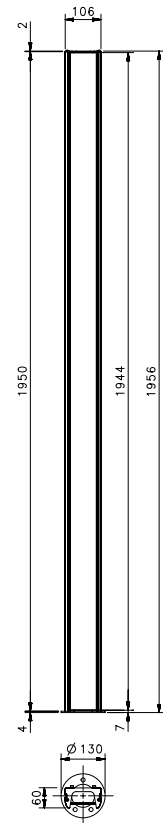
SH-FSM-900



SH-FSM-1200



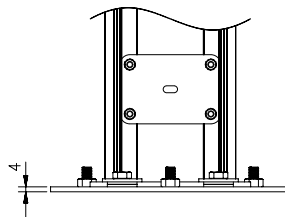
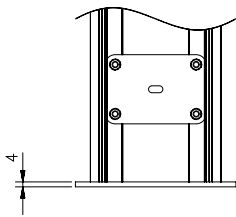
SH-FSM-1500



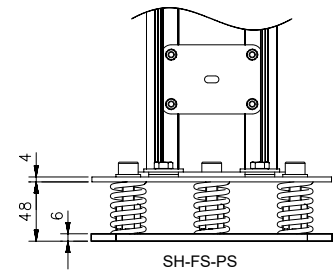
SH-FSM-1800

SH-FS-P, SH-FS-PS

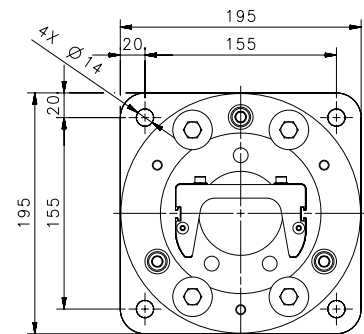
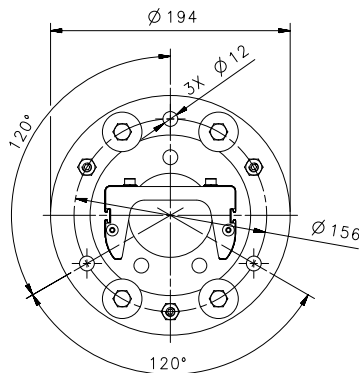
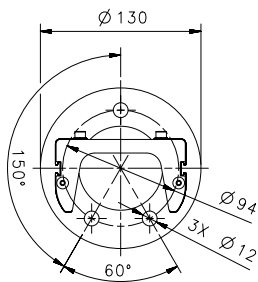
(mm)



SH-FS-P



SH-FS-PS



COMPATIBILITY BETWEEN SH-FSD, SH-FSM AND SAFETY LIGHT CURTAINS

SH-FSD	SH-FSM	SAFETY LIGHT CURTAIN	DETECTION AREA HEIGHT	SAFETY LIGHT CURTAIN FIXING BRACKETS TO ORDER
SH-FSD-900	SH-FSM-900	SH4 -*	300-900 mm	
		SG4-14/30-*	150-900 mm	
		SG2-30/50/90-*X	150-900 mm	
		SG2-30/50/90-*E-C	150-900 mm	ST-KSTD
	SH-FSM-2-500	SH4-2-0500-*	500 mm	
		SG2-S2-050-*	500 mm	
SG4-S2-050-*		500 mm		
SH-FSD-1200	SH-FSM-1200	SH4-14/30-*	1050-1200 mm	
		SG4-14/30-*	1050-1200 mm	
		SG2-30/50/90-*X	150-900 mm	
		SG2-30/50/90-*E-C	1050-1200 mm	ST-KSTD
	SH-FSM-3-800	SH4-3-0800-*	800 mm	
		SG4-S3-080-*	800 mm	
		SG2-S3-080-*	800 mm	
	SH-FSM-4-900	SH4-4-0900-*	900 mm	
		SG2-S4-090-*	900 mm	
		SG4-S4-090-*	900 mm	
SH-FSD-1500	SH-FSM-1500	SH4-14/30-*	1350-1500 mm	
		SG4-14/30-*	1350-1500 mm	
		SG2-30/50/90-*X	150-900 mm	
		SG2-30/50/90-*E-C	1350-1500 mm	ST-KSTD
	SH-FSM-4-1200	SH4-4-1200-*	1200 mm	
		SG4-S4-120-*	1200 mm	
SG2-S4-120-*		1200 mm		
SH-FSD-1800	SH4-14/30-*	SH4-14/30-*	1650-1800 mm	
		SG4-14/30-*	1650-1800 mm	
		SG2-30/50/90-*X	150-900 mm	
		SG2-30/50/90-*E-C	1650-1800 mm	ST-KSTD

The table above lists safety light curtain models that can be mounted inside the SH-FSD Floor Supports remaining inside the support profile. The top of SH-FSD lets anyway the safety light curtain exceed the length of the profile so also higher length can be installed.

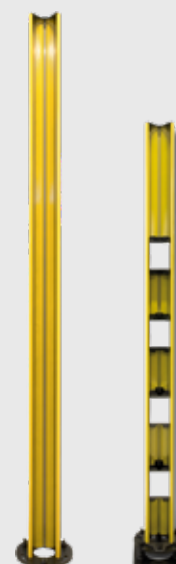




SG-PSB & PSM

PROTECTIVE STANDS FOR SAFETY LIGHT CURTAINS AND ADJUSTABLE MIRRORS

Robust protective stands for SG and SH4 safety light curtains and SG-DM mirrors. Version with pre-installed adjustable mirrors for perimetral protection using 2, 3, 4 beams light curtains.



- Heights from 600 to 1900 mm (stands)
- Heights of 500, 800, 900 and 1200 mm (with 2/3/4 adjustable mirrors)
- Optional plate with springs
- Material: Painted aluminum, glass, steel

AVAILABLE MODELS

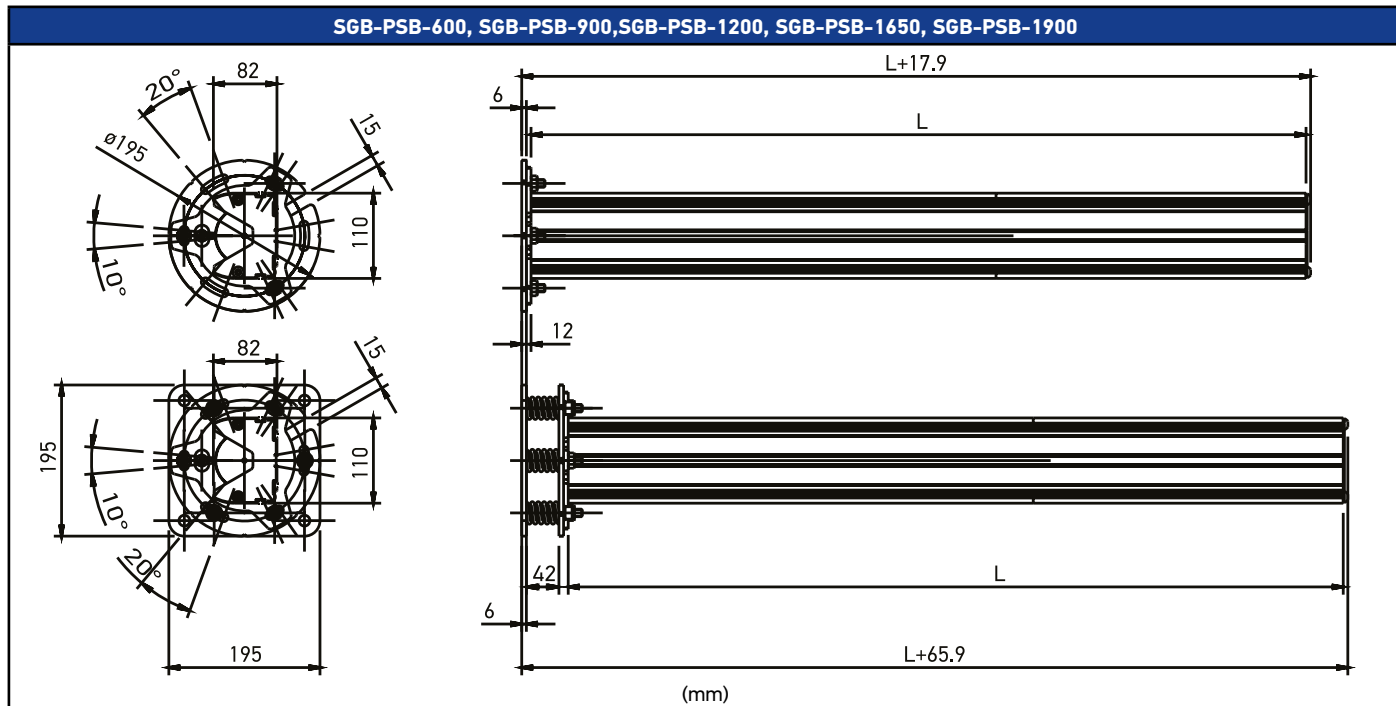
Description	Model
Protective stand for light curtains h=600mm	SG-PSB-600 (95ASE2240)
Protective stand for light curtains h=1000mm	SG-PSB-1000 (95ASE2250)
Protective stand for light curtains h=1200mm	SG-PSB-1200 (95ASE2260)
Protective stand for light curtains h=1650mm	SG-PSB-1650 (95ASE2270)
Protective stand for light curtains h=1900mm	SG-PSB-1900 (95ASE2280)
Protective stand with 2 adjustable mirrors h=500mm	SG-PSM-2-500 (95ASE2300)
Protective stand with 3 adjustable mirrors h=800mm	SG-PSM-3-800 (95ASE2310)
Protective stand with 4 adjustable mirrors h=900mm	SG-PSM-4-900 (95ASE2320)
Protective stand with 4 adjustable mirrors h=1200mm	SG-PSM-4-1200 (95ASE2330)
Plate with springs for protective stands SG-PSB and SG-PSM	SG-P (95ASE2290)

SG-PSB-xxxx are compatible with the SG and SH4 series safety light curtains, including the SG BODY BIG and SG4 REFLECTOR models
The effect of collisions, vibrations and uneven floor surfaces can be compensated by using SG-P plate kit (to be ordered separately): a steel base made with 2 plates, dowels and spheric level for adjustment of the vertical axis, slots for angular adjustment.

AVAILABLE MODELS

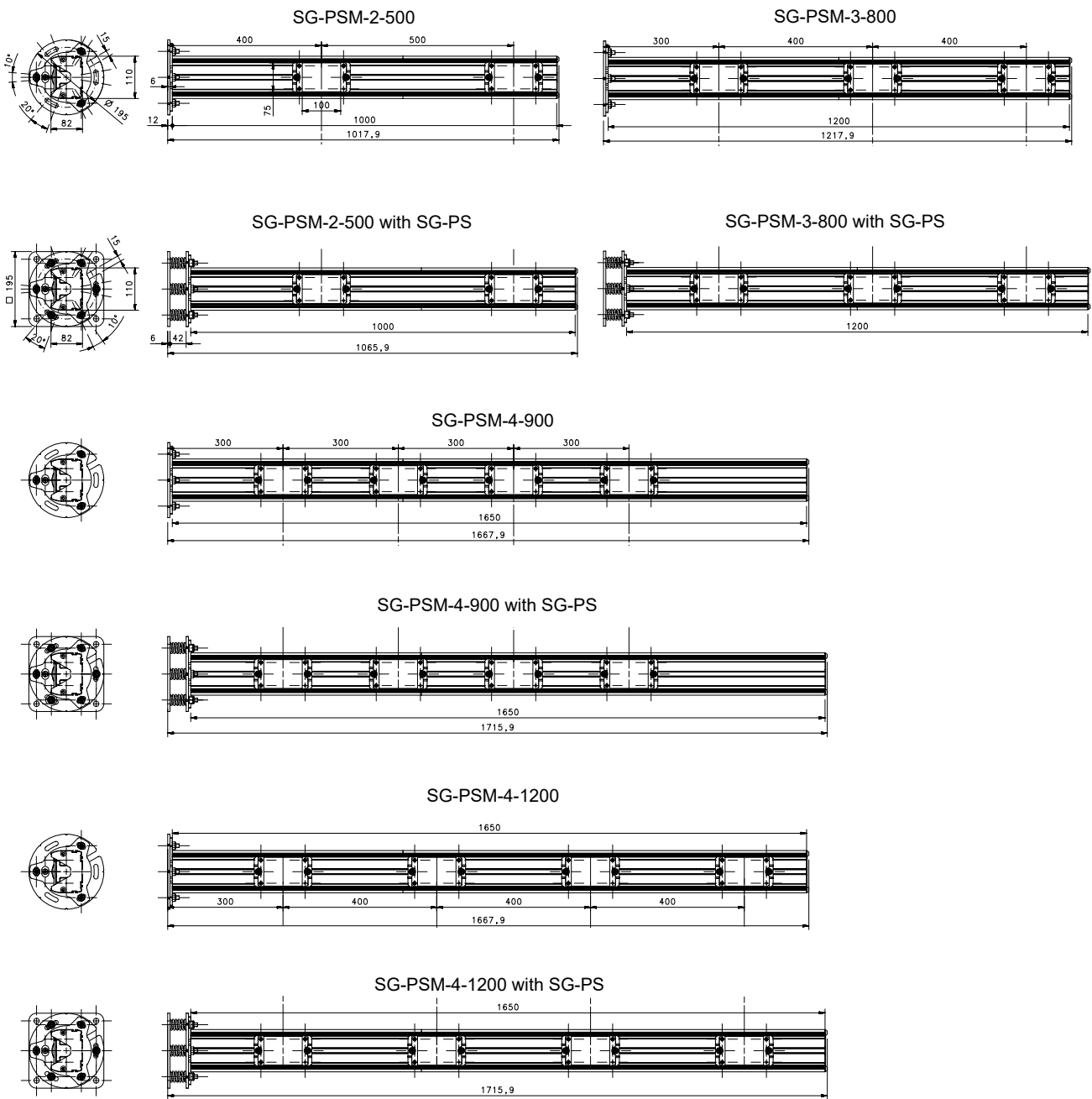
Description	Model
SG-PSB Protective stand mounting kit for SG BODY BIG 4 brackets	ST-PS4-SG BODY (95ASE1730)
SG-PSB protective stand mounting kit for SG BODY BIG 6 brackets	ST-PS6-SG BODY (95ASE1740)
SG-PSB protective stand mounting kit for SG/SH4 4 brackets	ST-PS4-SG-SE (95ASE1750)
SG-PSB protective stand mounting kit for SG/SH4 6 brackets	ST-PS6-SG-SE (95ASE1760)
SG-PSB protective stand mounting kit for mirror SG-DM 2 nuts	ST-PS-DM (95ASE1770)

MECHANICAL DRAWINGS



Models	L (mm)
SGB-PSB-600	600
SGB-PSB-900	900
SGB-PSB-1200	1200
SGB-PSB-1650	1650
SGB-PSB-1900	1900

(mm)



To respect the distances of the mirrors from the floor, in case of mounting SG-PS, the mirrors will have to be moved by their original position

COMPATIBILITY TABLE BETWEEN SG-PSM MIRRORS AND SAFETY LIGHT CURTAINS

SG-PSM	SAFETY LIGHT CURTAIN	DETECTION AREA HEIGHT
SG-PSM-2-500	SG2-S2-050-*	500 mm
	SG4-S2-050-*	500 mm
	SG2-B2-050-*	500 mm
	SG4-B2-050-*	500 mm
	SG4-BLR2-050-*	500 mm
	SG4-BSR2-050-*	500 mm
	SH4-2-0500-*	500 mm
SG-PSM-3-800	SG2-S3-080-*	800 mm
	SG4-S3-080-*	800 mm
	SG2-B3-080-*	800 mm
	SG4-B3-080-*	800 mm
	SG4-BLR3-080-*	800 mm
	SG4-BSR3-080-*	800 mm
	SH4-3-0800-*	800 mm
SG-PSM-4-900	SG2-S4-090-*	900 mm
	SG4-S4-090-*	900 mm
	SG2-B4-090-*	900 mm
	SG4-B4-090-*	900 mm
	SG4-BLR4-090-*	900 mm
	SG4-BSR4-090-*	900 mm
	SH4-4-0900-*	900 mm
SG-PSM-4-1200	SG2-S4-120-*	1200 mm
	SG4-S4-120-*	1200 mm
	SG2-B4-120-*	1200 mm
	SG4-B4-120-*	1200 mm
	SG4-BLR4-120-*	1200 mm
	SG4-BSR4-120-*	1200 mm
	SH4-4-1200-*	1200 mm

COMPATIBILITY BETWEEN SG-PSB PROTECTIVE STANDS, MIRRORS AND SAFETY LIGHT CURTAINS

SG-PSB	SG-DM	SAFETY LIGHT CURTAIN	DETECTION AREA HEIGHT	SAFETY LIGHT CURTAIN FIXING BRACKETS TO ORDER
SG-PSB 600	SG-DM 600	SG2-30/50/90	150-450 mm	ST-PS4-SG-SE
		SG4-14/30	150-450 mm	ST-PS4-SG-SE
		SH4-*	150-450 mm	ST-PS4-SG-SE
SG-PSB 1000	SG-DM 1000	SG2-30/50/90	600-750	ST-PS4-SG-SE
		SG4-14/30	600-750	ST-PS4-SG-SE
		SH4-*	600-750	ST-PS4-SG-SE
		SG2-S2-050-*	500 mm	ST-PS4-SG-SE
		SG4-S2-050-*	500 mm	ST-PS4-SG-SE
		SG2-B2-050-*	500 mm	ST-PS4-SG BODY
		SG4-B2-050-*	500 mm	ST-PS4-SG BODY
		SG4-BLR2-050-*	500 mm	ST-PS4-SG BODY
		SG4-BSR2-050-*	500 mm	ST-PS4-SG BODY
SG-PSB 1200	SG-DM 1200	SG2-30/50/90	900-1050 mm	ST-PS4-SG-SE
		SG4-14/30	900-1050 mm	ST-PS4-SG-SE
		SH4-*	900-1050 mm	ST-PS4-SG-SE
		SG2-S3-080-*	800 mm	ST-PS4-SG-SE
		SG4-S3-080-*	800 mm	ST-PS4-SG-SE
		SG2-B3-080-*	800 mm	ST-PS4-SG BODY
		SG4-B3-080-*	800 mm	ST-PS4-SG BODY
		SG4-BLR3-080-*	800 mm	ST-PS4-SG BODY
		SG4-BSR3-080-*	800 mm	ST-PS4-SG BODY
SG-PSB 1650	SG-DM 1650	SG2-30/50/90	1200-1500 mm	ST-PS6-SG-SE
		SG4-14/30	1200-1500 mm	ST-PS6-SG-SE
		SH4-*	1200-1500 mm	ST-PS6-SG-SE
		SG2-S4-090-*	900 mm	ST-PS4-SG-SE
		SG4-S4-090-*	900 mm	ST-PS4-SG-SE
		SG2-B4-090-*	900 mm	ST-PS4-SG BODY
		SG4-B4-090-*	900 mm	ST-PS4-SG BODY
		SG4-BLR4-090-*	900 mm	ST-PS4-SG BODY
		SG4-BSR4-090-*	900 mm	ST-PS4-SG BODY
		SG2-S4-120-*	1200 mm	ST-PS6-SG-SE
		SG4-S4-120-*	1200 mm	ST-PS6-SG-SE
		SG2-B4-120-*	1200 mm	ST-PS6-SG BODY
		SG4-B4-120-*	1200 mm	ST-PS6-SG BODY
		SG4-BLR4-120-*	1200 mm	ST-PS6-SG BODY
		SG4-BSR4-120-*	1200 mm	ST-PS6-SG BODY
SG-PSB 1900	SG-DM 1900	SG2-30/50/90	1650-1800 mm	ST-PS6-SG-SE
		SG4-14/30	1650-1800 mm	ST-PS6-SG-SE
		SH4-*	1650-1800 mm	ST-PS6-SG-SE

The table above lists safety light curtain models that can be mounted inside the SG-PSB protective stands. Fixing brackets column specifies the bracket accessory kit required to install TX or RX unit inside the protective stand. To mount the mirrors SG-DM into the stands SG-PSB, order ST-PS-DM mounting kit



SG-DM

DEVIATING MIRRORS FOR SAFETY LIGHT CURTAINS



Mirrors for safety light curtains with finger/hand resolution. They can be installed in protective stands SG-PSB or floor columns SE-S.

- Heights from 600 to 1900 mm
- Mirror for single beam 150 mm high

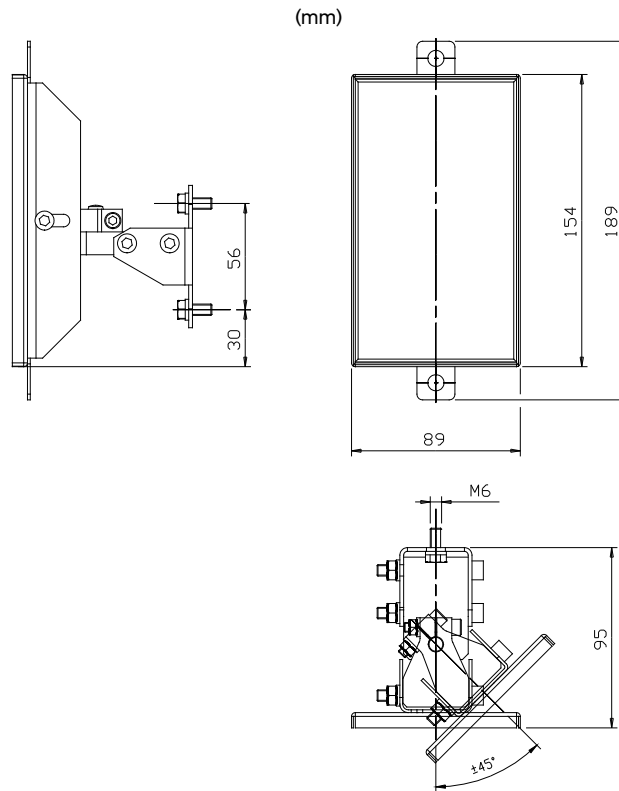
AVAILABLE MODELS

Description	Model
Deviating mirror for light curtains h=150mm	SG-DM-150 (95ASE1670)
Deviating mirror for light curtains h=600mm	SG-DM-600 (95ASE1680)
Deviating mirror for light curtains h=900mm	SG-DM-900 (95ASE1690)
Deviating mirror for light curtains h=1200mm	SG-DM-1200 (95ASE1700)
Deviating mirror for light curtains h=1650mm	SG-DM-1650 (95ASE1710)
Deviating mirror for light curtains h=1900mm	SG-DM-1900 (95ASE1720)
Deviating mirrors SG-DM mounting kit on SE-S columns	ST-DM (95ASE1940)

1. To mount these mirrors into the stands SG-PSB, order ST-PS-DM mounting kit
 2. To mount these mirrors to columns SE-S, order one ST-DM mounting kit
 3. The mirror length has to be at least 100 mm greater than the length of the light curtain's protected area.
- Ex. For a SG2-30-090-00-E (protection height = 900 mm), choose a SG-DM 1200

MECHANICAL DRAWINGS

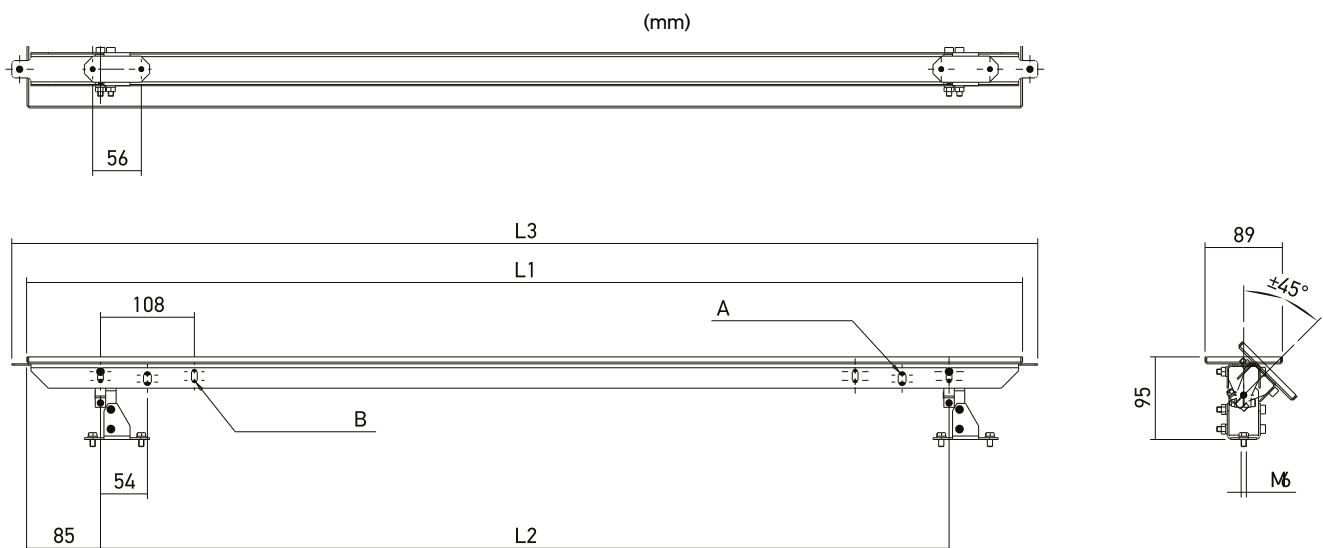
SG-DM-150



1. To mount this mirror into the stands SG-PSB order ST-PS-DM mounting kit 2. To mount this mirrors to columns SE-S, order ST-DM mounting kit

MECHANICAL DRAWINGS

SG-DM-600, SG-DM-900, SG-DM-1200, SG-DM-1650, SG-DM-1900



The image includes the mirror SG-DM and the bracket mounting kits ST-DM that includes two brackets.

Models	L1 (mm)	L2 (mm)	L3 (mm)	A	B
SG-DM-600	545	376	580	R3,3 x 8 hole	R4,5 x 4 hole
SG-DM-900	845	676	880		
SG-DM-1200	1145	976	1180		
SG-DM-1650	1595	1426	1630		
SG-DM-1900	1845	1676	1880		

MECHANICAL DRAWINGS

ST-DM

(mm)

